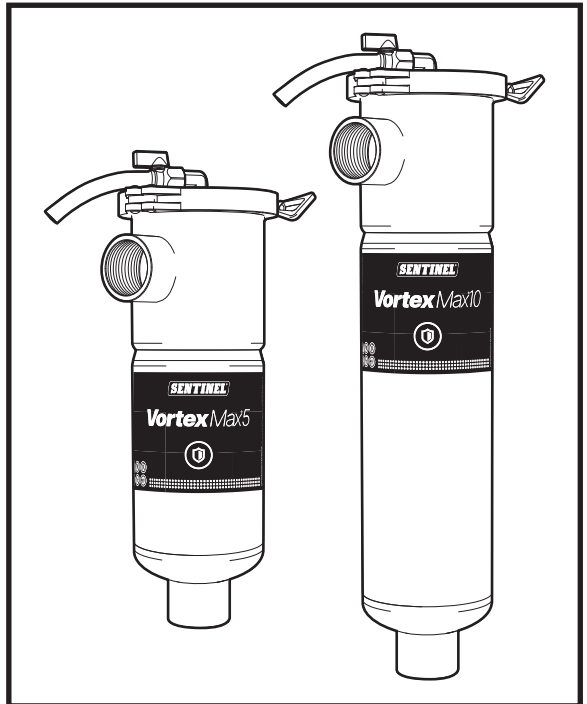
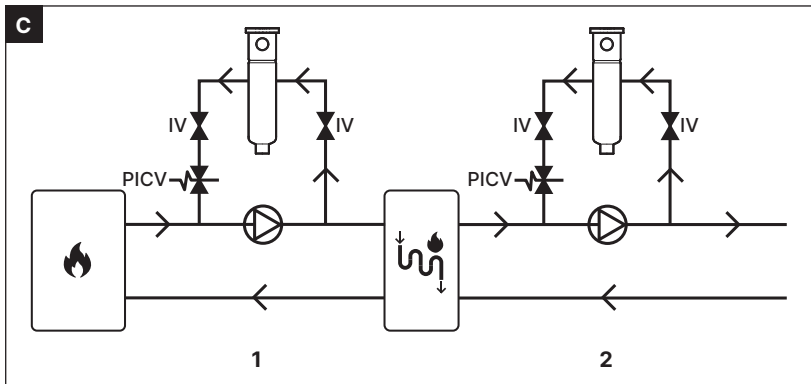
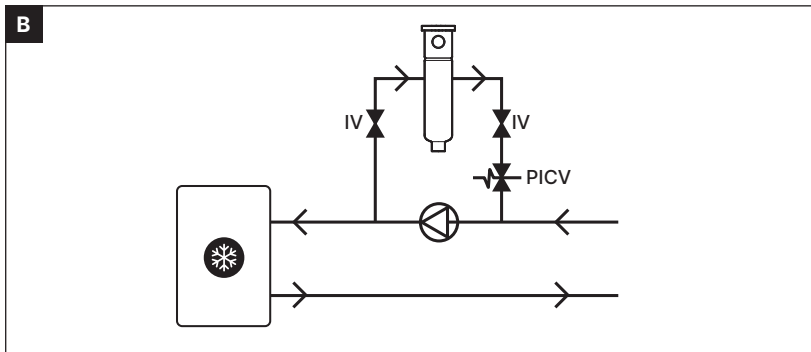
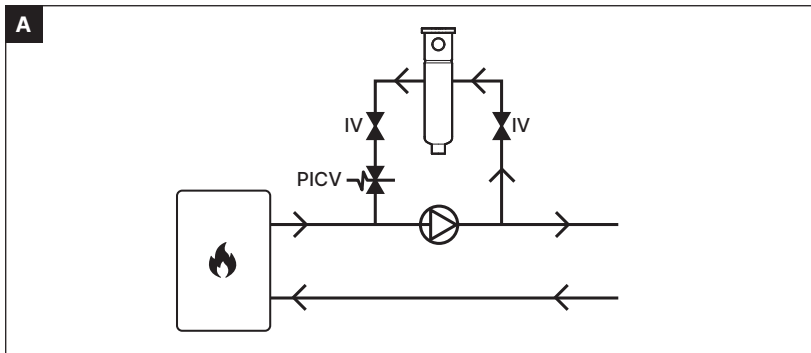


SENTINEL®

VortexMax 5 VortexMax 10



09/2024



IV = Isolation Valves / Vannes d'isolement / Valvole di isolamento

PICV = Pressure Independent Valves / Vannes de régulation indépendantes de la pression / Valvole a portata costante

EN

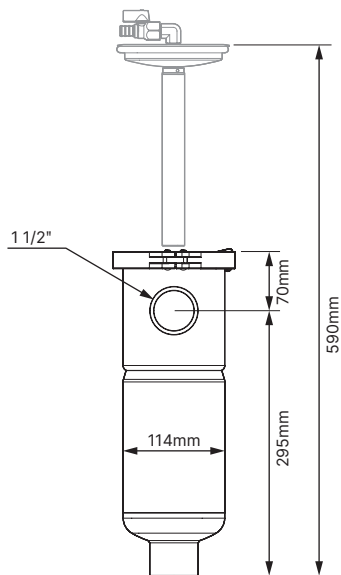
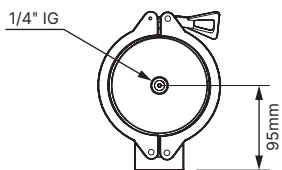
Type	Max5	Max10
Housing Material	Stainless steel V4A	Stainless steel V4A
Filter	✓ 1 Micron (0.001mm)	✓ 1 Micron (0.001mm)
Max. flow rate	5m ³ /h	10 m ³ /h
Magnetic field strength (Gauss)	6x12,000	11x12,000
Connections	1 1/2" BSPP	1 1/2" BSPP
KFE drain valve	1/2"	1/2"
Brackets included	✓	✓
Vent shut-off with hose	1/4"	1/4"
Max. temperature	80°C at 10 bar	80°C at 10 bar
Max. operating pressure	10 bar	10 bar
Height (mm)	365	520
Total Clearance required (mm)	590	900
Weight (Kg)	7.3	8.7

FR

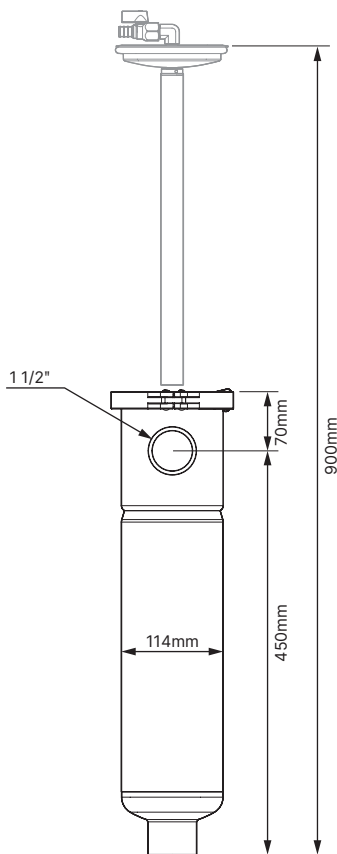
Type	Max5	Max10
Matériau corps de filtre	Inox V4A	Inox V4A
Filtration	✓ 1 Micron (0.001mm)	✓ 1 Micron (0.001mm)
Débit maximal	5m ³ /h	10 m ³ /h
Champ magnétique (Gauss)	6x12 000	11x12 000
Raccords	1 1/2" BSPP	1 1/2" BSPP
Vanne de vidange KFE	1/2"	1/2"
Supports inclus	✓	✓
Vanne de purge (tuyau fourni)	1/4"	1/4"
Température maximale	80°C à 10 bar	80°C à 10 bar
Pression maximum	10 bar	10 bar
Hauteur (mm)	365	520
Hauteur totale requise (mm)	590	900
Poids (Kg)	7.3	8.7

IT

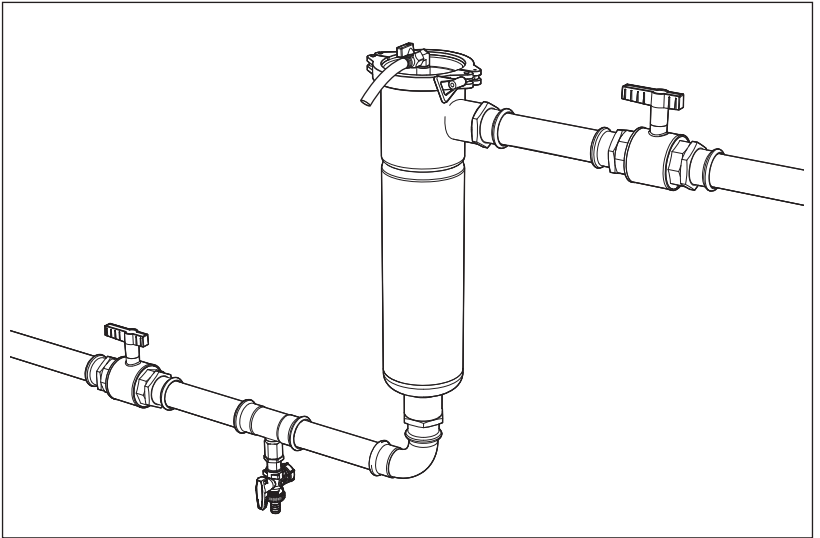
Tipo	Max5	Max10
Materiale corpo filtro	Acciaio inox V4A	Acciaio inox V4A
Filtrazione	✓ 1 Micron (0.001mm)	✓ 1 Micron (0.001mm)
Portata massima	5m ³ /h	10 m ³ /h
Forza del campo magnetico (Gauss)	6x12,000	11x12,000
Collegamenti	1 1/2" BSPP	1 1/2" BSPP
Valvola di scarico KFE	1/2"	1/2"
Staffe incluse	✓	✓
Valvola di chiusura dello sfiato con tubo	1/4"	1/4"
Temperatura max.	80°C a 10 bar	80°C a 10 bar
Pressione d'esercizio max.	10 bar	10 bar
Altezza (mm)	365	520
Ingombro totale richiesto (mm)	590	900
Peso (Kg)	7.3	8.7

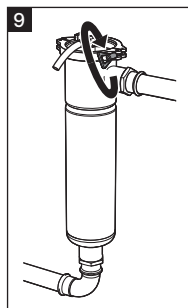
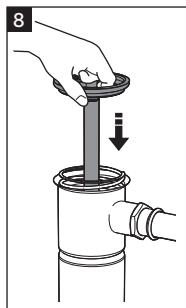
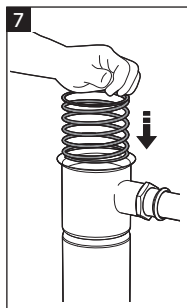
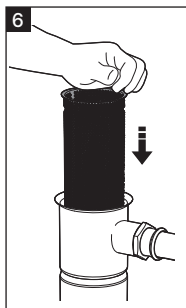
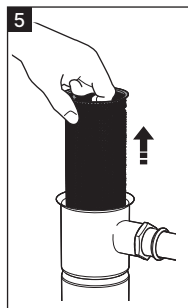
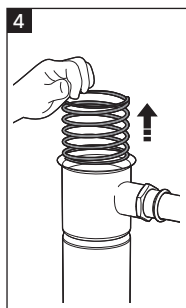
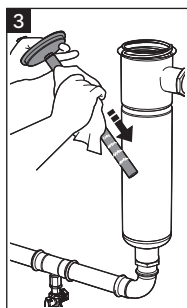
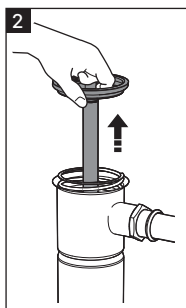
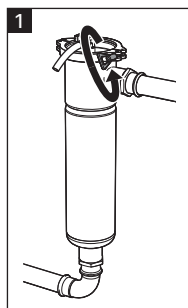


VortexMax 5



VortexMax 10







10 year guarantee / Garantie 10 ans / Garanzia 10 anni / 10 Jahre Garantie /
10 jaar garantie / 10 års garanti / 10 godina jamstva / Záruka 10 let /
10-letnia gwarancja / Garantie pe 10 ani / 10 év garancia / 10-ročná záruka /
Garantía 10 años / Εγγύηση 10 ετών / 10 yıl garanti

UK www.sentinelprotects.com/uk/guarantee-registration
FR www.sentinelprotects.com/fr/activation-de-garantie
IT www.sentinelprotects.com/it/registrazione-garanzia
DE www.sentinelprotects.com/de/gewaehreleistung-registrierung
NL www.sentinelprotects.com/nl/produktregisteret
CZ www.sentinelprotects.com/cz/registrace-produktu
PL www.sentinelprotects.com/pl/rejestr-produkt
HU www.sentinelprotects.com/hu/garantaltan-regisztracio
ES www.sentinelprotects.com/es/registro-de-garantia
TR www.sentinelprotects.com/tr/urun-kaydi
US www.sentinelprotects.com/us/guarantee-registration
GR www.sentinelprotects.com/uk/guarantee-registration
RO, SK, SI www.sentinelprotects.com/uk/guarantee-registration
HR, AT, PT www.sentinelprotects.com/uk/guarantee-registration
NO, SE, CN www.sentinelprotects.com/uk/guarantee-registration



□ □ □ □ 20 □ □

S/N

□ □ □ □ □ □ □ □ □ □ - □ □ - □ □ □ □ □ □ □ □